

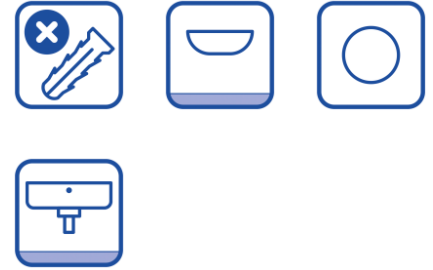
Cod. D361401

White

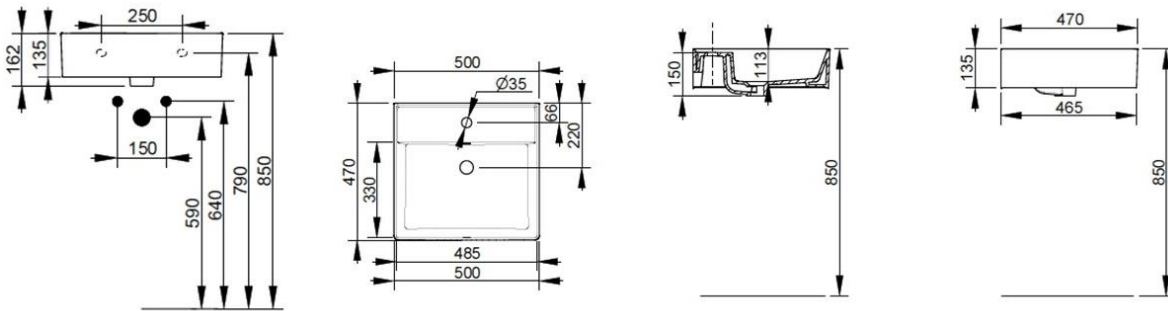
DOP-No 14688

Basin with overflow and central taphole; compatible with structure, using dedicated fixings. To be installed with compatible fixings according to wall type, not supplied.

Width mm)	500
Depth (mm)	470
Height mm)	135
Weight Kg)	16,4
Overflow hole	Si
Tap Holes	
Installation	



available colours:



NOT PROVIDED FIXINGS / ACCESSORIES / SPARE PARTS

(* Mandatory)



A360981



A3609CR



V302181

Push button pop-up waste, with overflow, chrome plated



V3021CR

Push button pop-up waste, with overflow, chrome plated



V303081

Design syphon for basin



V3030CR

Design syphon for basin



F303199

Fixation set for basin.

Updated: 18/04/2025