

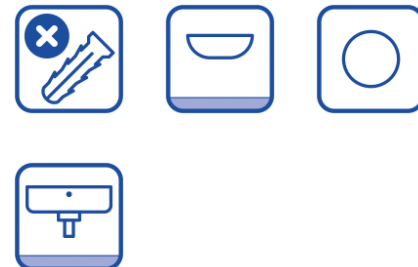
Cod. D431781

Matt Black

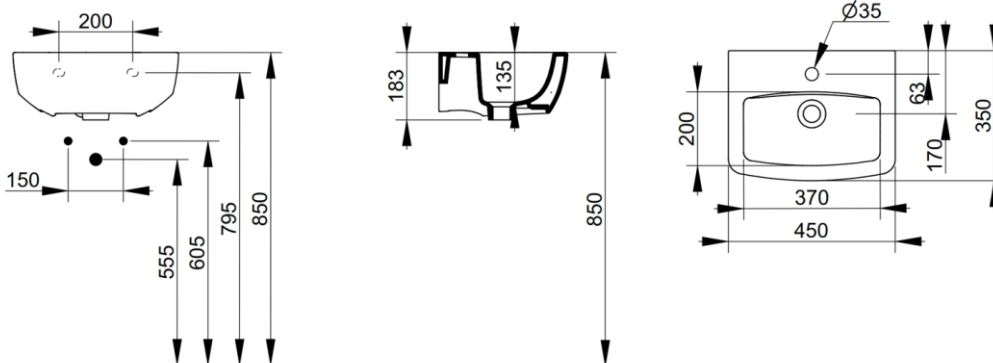
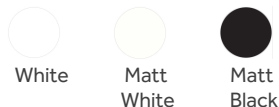
DOP-No 14688

Wall mounted basin with overflow and central taphole; for assembly alone with syphon. To be installed with compatible fixings according to wall type.

| | |
|---------------|--------------|
| Width mm) | 450 |
| Depth (mm) | 350 |
| Height mm) | 165 |
| Weight Kg) | 11,80 |
| Overflow hole | Si |
| Tap Holes | One-hole |
| Installation | wall mounted |



available colours:



NOT PROVIDED FIXINGS / ACCESSORIES / SPARE PARTS

(* Mandatory)



V3021CR
Push button pop-up waste, with overflow, chrome plated



V303081
Design syphon for basin



V3030CR
Design syphon for basin



F303199 *
Fixation set for basin.

Updated: 19/09/2023