

Cod. D462701

White

DOP-No 997

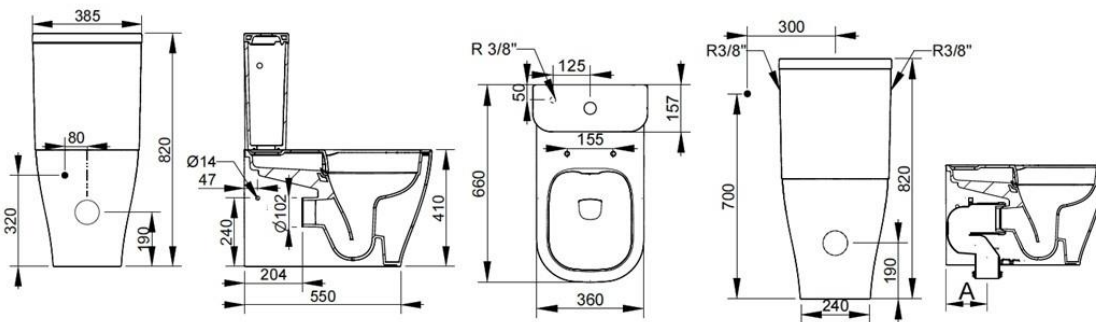


BTW Universal outlet close coupled, for assembly with CC cistern 4,5 L. Necessary equipment: cistern with mechanism, seat and cover, outlet bend in case of vertical installation. Fixation set included.

Width (mm)	360
Depth (mm)	660
Height (mm)	820
Weight (Kg)	33
Flush Volume (l)	4,5
Installation	back to wall
Outlet	universal outlet



available colours:



A		
Curva	Da	a
F950099	55	130
F950399	195	205
F950199	170	250 Max
F951199	Racc.eccentrico 20mm	
F951299	Racc.eccentrico 40mm	

### SEAT and COVER (NOT INCLU



**S463201**  
Normal closing seat and cover with metal hinges.



**S463301**  
Soft closing seat and cover with metal hinges and quick take-off.



**F953299**  
Fixation set for hidden BTW installation

### PROVIDED FIXINGS / ACCESSORIES

### NOT PROVIDED FIXINGS / ACCESSORIES / SPARE PARTS

(\* Mandatory)



**D553901**  
Close coupled cistern, side inlet. Including double flush mechanism and fixation set.



**D554001**  
Close coupled cistern, bottom inlet. Including double flush mechanism and fixation set.



**F950399**  
Plastic 'S' outlet bend 90°



**F950099**  
Plastic outlet bend 90°



**F950199**  
Plastic outlet bend 90°, to be installed only on shifted BTW bowl



**F951299**

Eccentric adapter for outlet +/- 40mm.



**F951199**

Eccentric adapter for outlet +/- 20mm.

IMMAGINE  
NON DISPONIBILE

**D553301**

Ceramic tank cover for Demy/Mirto cistern.



**V9042CR**

Double flush cistern mechanism with side inlet and chrome plated button.



**V9043CR**

Double flush cistern mechanism with bottom inlet and chrome plated button.



**VS52701**

Buffers kit for Mia/Mirto/Gemma2 seat and cover



**VS362CR**

Hinges for Mia-Mirto normal closing seat and cover.



**VS363CR**

Hinges for Mirto soft closing seat and cover.