

Cod. D462741

Matt White

DOP-No 997

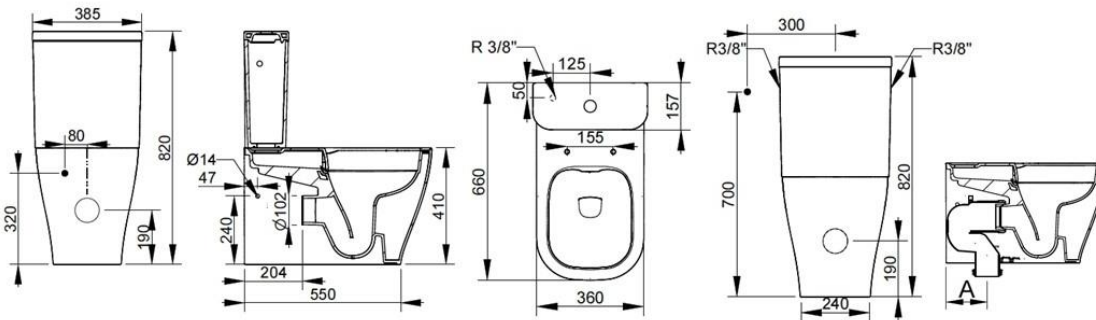


BTW Universal outlet close coupled, for assembly with CC cistern 4,5 L. Necessary equipment: cistern with mechanism, seat and cover, outlet bend in case of vertical installation. Fixation set included.

| | |
|------------------|------------------|
| Width (mm) | 360 |
| Depth (mm) | 660 |
| Height (mm) | 820 |
| Weight (Kg) | 33 |
| Flush Volume (l) | 4,5 |
| Installation | back to wall |
| Outlet | universal outlet |



available colours:



| A | | |
|---------|----------------------|---------|
| Curva | Da | a |
| F950099 | 55 | 130 |
| F950399 | 195 | 205 |
| F950199 | 170 | 250 Max |
| F951199 | Racc.eccentrico 20mm | |
| F951299 | Racc.eccentrico 40mm | |

SEAT and COVER (NOT INCLU



S463341

Soft closing seat and cover with metal hinges and quick take-off.

PROVIDED FIXINGS / ACCESSORIES



F953299

Fixation set for hidden BTW installation

NOT PROVIDED FIXINGS / ACCESSORIES / SPARE PARTS

(* Mandatory)



D553941

Close coupled cistern, side inlet. Including double flush mechanism and fixation set.



D554041

Close coupled cistern, bottom inlet. Including double flush mechanism and fixation set.



F950399

Plastic 'S' outlet bend 90°



F950099

Plastic outlet bend 90°



F950199

Plastic outlet bend 90°, to be installed only on shifted BTW bowl



F951299

Eccentric adapter for outlet +/- 40mm.



F951199

Eccentric adapter for outlet +/- 20mm.

IMMAGINE
NON DISPONIBILE

D553341

Ceramic tank cover for Demy/Mirto cistern.



V9042CR

Double flush cistern mechanism with side inlet and chrome plated button.



V9043CR

Double flush cistern mechanism with bottom inlet and chrome plated button.



VS52701

Buffers kit for Mia/Mirto/Gemma2 seat and cover



VS363CR

Hinges for Mirto soft closing seat and cover.