

Cod. D474841

Matt White

DOP-No 997

BTW supplied with fully hidden fixation set; universal outlet, certified 4,5 L flush due to vortex system and interior surface design. To be completed with seat and cover and outlet bend in case of vertical installation.

Width (mm)	360
Depth (mm)	500
Height (mm)	410
Weight (Kg)	28,3
Flush Volume (l)	4,5
Installation	back to wall
Outlet	universal outlet



available colours:



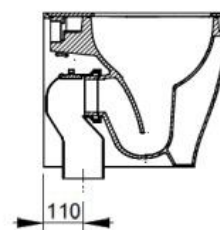
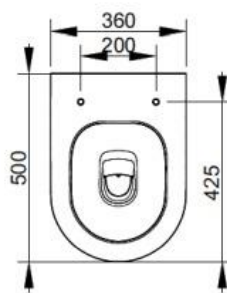
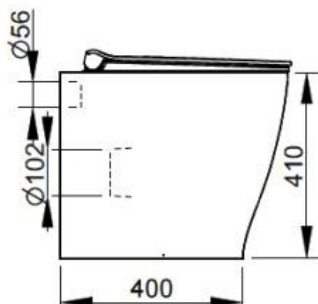
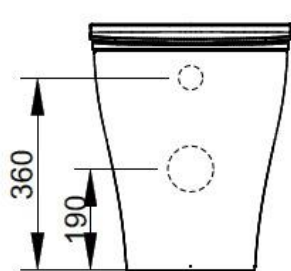
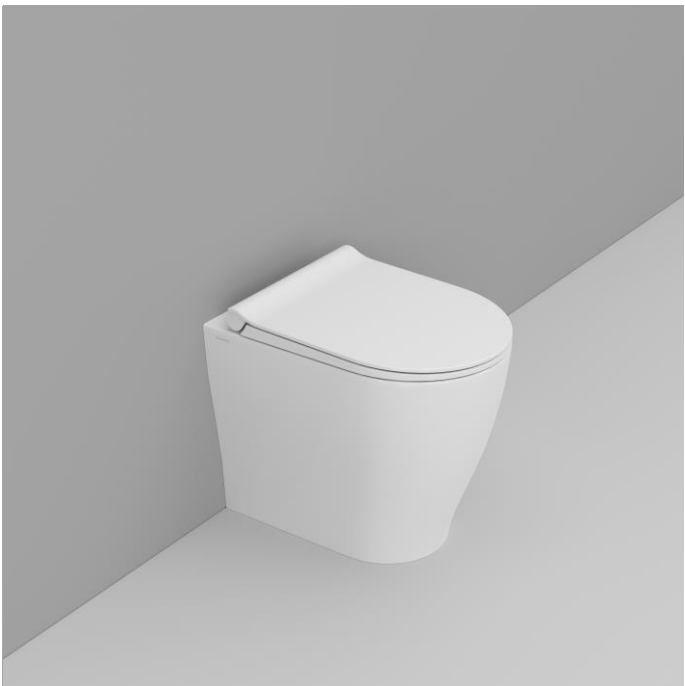
White



Matt White



Matt Black



A		
Curva	Da	a
F950399	105	115
F951199	Racc. eccentrico 20mm	
F951299	Racc. eccentrico 40mm	

SEAT and COVER (NOT INCLU



S473341

Soft closing seat and cover with metal hinges and quick take-off.

NOT PROVIDED FIXINGS / ACCESSORIES / SPARE PARTS

(* Mandatory)



F953299

Fixation set for hidden BTW installation



VS373CR

Hinges for Mirto Round soft closing seat and cover.



VS371CR

Hinges for Mirto Round normal closing seat and cover.



VS52701

Buffers kit for Mia/Mirto/Gemma2 seat and cover

Cod. D474841

Matt White

DOP-No

BTW supplied with fully hidden fixation set; universal outlet, certified 4,5 L flush due to vortex system and interior surface design. To be completed with seat and cover and outlet bend in case of vertical installation.

Width (mm)	360
Depth (mm)	500
Height (mm)	410
Weight (Kg)	28,3
Flush Volume (l)	4,5
Installation	back to wall
Outlet	universal outlet



available colours:



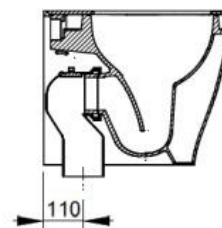
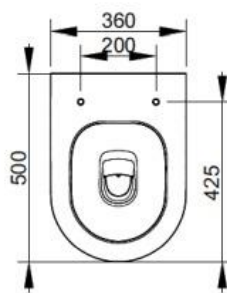
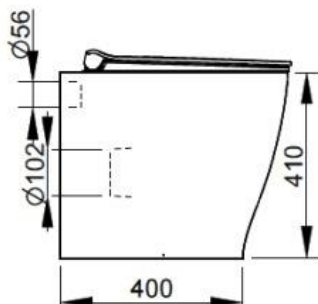
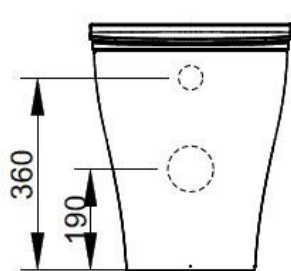
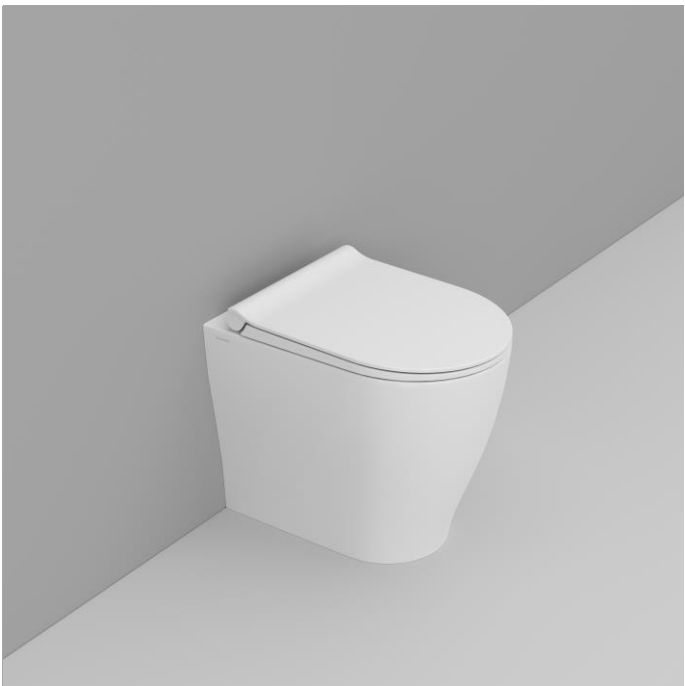
White



Matt White



Matt Black



A		
Curva	Da	a
F950399	105	115
F951199	Racc. eccentrico 20mm	
F951299	Racc. eccentrico 40mm	

SEAT and COVER (NOT INCLU



S473341

Soft closing seat and cover with metal hinges and quick take-off.

NOT PROVIDED FIXINGS / ACCESSORIES / SPARE PARTS

(* Mandatory)



F953299

Fixation set for hidden BTW installation



VS373CR

Hinges for Mirto Round soft closing seat and cover.



VS371CR

Hinges for Mirto Round normal closing seat and cover.



VS52701

Buffers kit for Mia/Mirto/Gemma2 seat and cover