

Cod. D474801

White

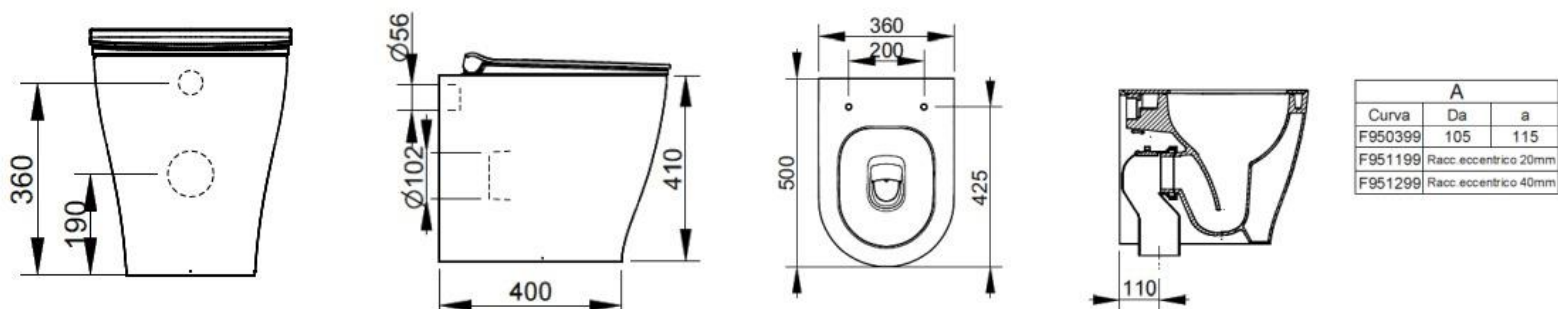
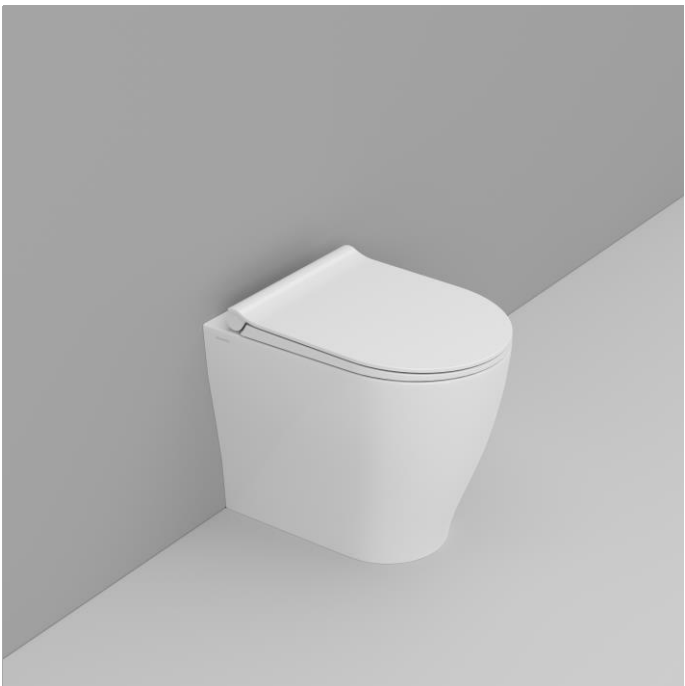
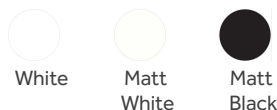
DOP-No 997

BTW supplied with fully hidden fixation set; universal outlet, certified 4,5 L flush due to vortex system and interior surface design. To be completed with seat and cover and outlet bend in case of vertical installation.

Width (mm)	360
Depth (mm)	500
Height (mm)	410
Weight (Kg)	28,3
Flush Volume (l)	4,5
Installation	back to wall
Outlet	universal outlet



available colours:



SEAT and COVER (NOT INCLU

PROVIDED FIXINGS / ACCESSORIES



S473201
Normal closing seat and cover with metal hinges.



S473301
Soft closing seat and cover with metal hinges and quick take-off.



F953299
Fixation set for hidden BTW installation

NOT PROVIDED FIXINGS / ACCESSORIES / SPARE PARTS

(* Mandatory)



F950399
Plastic 'S' outlet bend 90°



F951299
Eccentric adapter for outlet +/- 40mm.



F951199
Eccentric adapter for outlet +/- 20mm.



VS371CR
Hinges for Mirto Round normal closing seat and cover.



VS52701
Buffers kit for Mia/Mirto/Gemma2 seat and cover

Cod. D474801

White

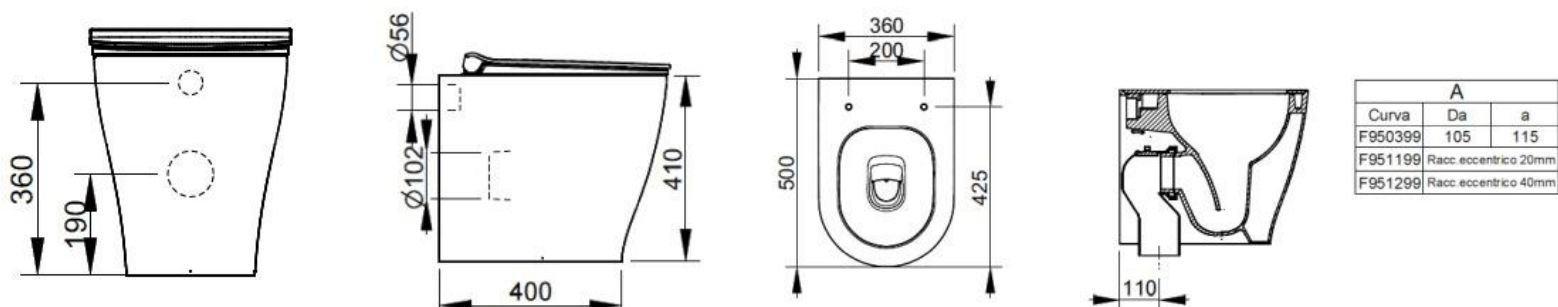
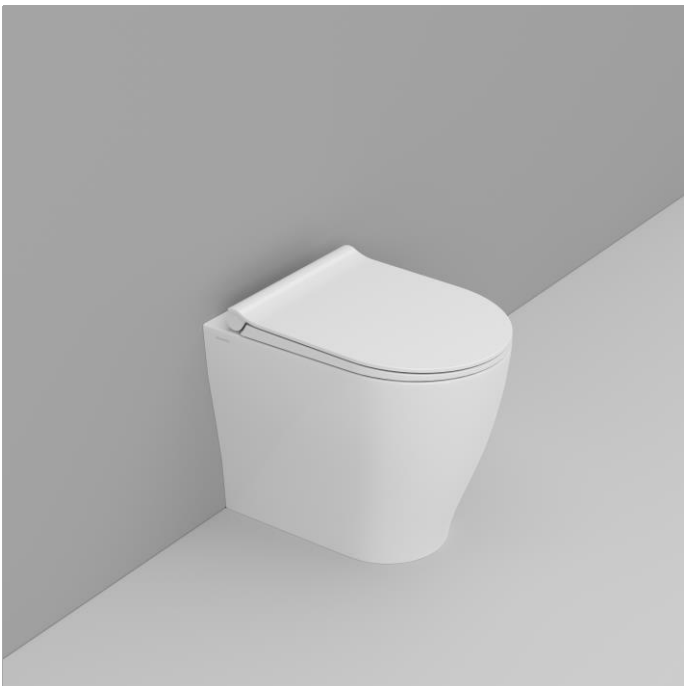
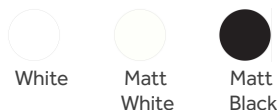
DOP-No

BTW supplied with fully hidden fixation set; universal outlet, certified 4,5 L flush due to vortex system and interior surface design. To be completed with seat and cover and outlet bend in case of vertical installation.

Width (mm)	360
Depth (mm)	500
Height (mm)	410
Weight (Kg)	28,3
Flush Volume (l)	4,5
Installation	back to wall
Outlet	universal outlet



available colours:



SEAT and COVER (NOT INCLU

PROVIDED FIXINGS / ACCESSORIES



S473201

Normal closing seat and cover with metal hinges.



S473301

Soft closing seat and cover with metal hinges and quick take-off.



F953299

Fixation set for hidden BTW installation

NOT PROVIDED FIXINGS / ACCESSORIES / SPARE PARTS

(* Mandatory)



F950399

Plastic 'S' outlet bend 90°



F951299

Eccentric adapter for outlet +/- 40mm.



F951199

Eccentric adapter for outlet +/- 20mm.



VS371CR

Hinges for Mirto Round normal closing seat and cover.



VS52701

Buffers kit for Mia/Mirto/Gemma2 seat and cover