

Cod. D474881

Matt Black

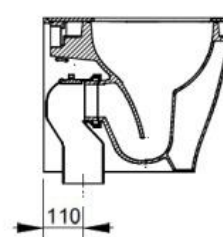
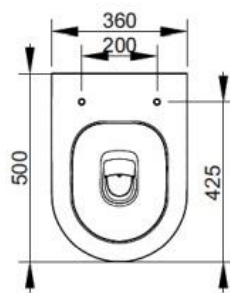
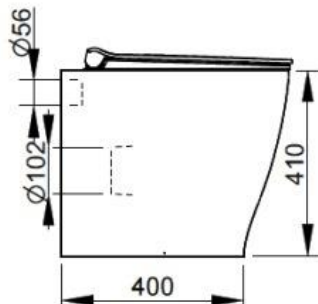
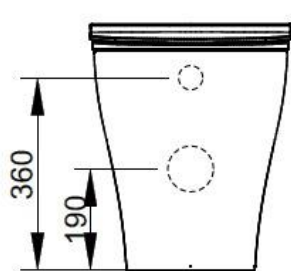
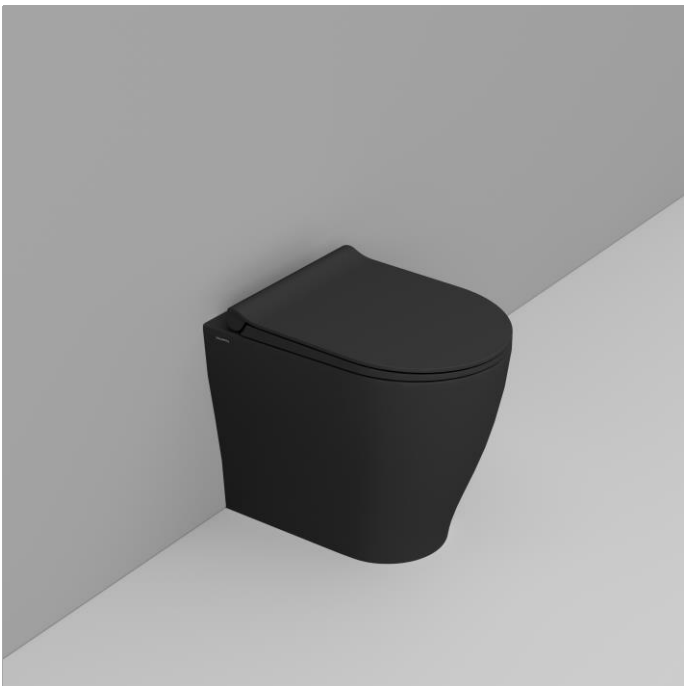
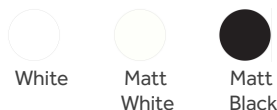
DOP-No 997

BTW supplied with fully hidden fixation set; universal outlet, certified 4,5 L flush due to vortex system and interior surface design. To be completed with seat and cover and outlet bend in case of vertical installation.

Width (mm)	360
Depth (mm)	500
Height (mm)	410
Weight (Kg)	28,3
Flush Volume (l)	4,5
Installation	back to wall
Outlet	universal outlet



available colours:



A		
Curva	Da	a
F950399	105	115
F951199	Racc. eccentrico 20mm	
F951299	Racc. eccentrico 40mm	

SEAT and COVER (NOT INCLU

PROVIDED FIXINGS / ACCESSORIES



S473381
Soft closing seat and cover with metal hinges and quick take-off.



F953299
Fixation set for hidden BTW installation

NOT PROVIDED FIXINGS / ACCESSORIES / SPARE PARTS

(* Mandatory)



VS371CR
Hinges for Mrto Round normal closing seat and cover.



VS373CR
Hinges for Mrto Round soft closing seat and cover.



VS52701
Buffers kit for Mia/Mirto/Gemma2 seat and cover

Cod. D474881

Matt Black

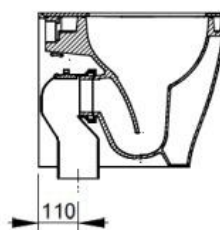
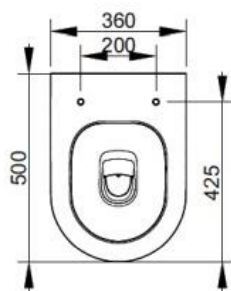
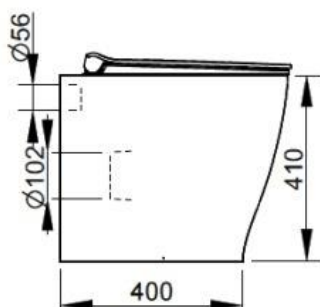
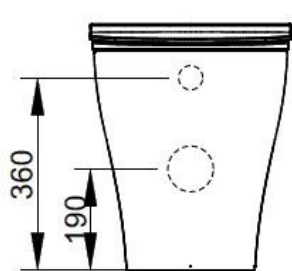
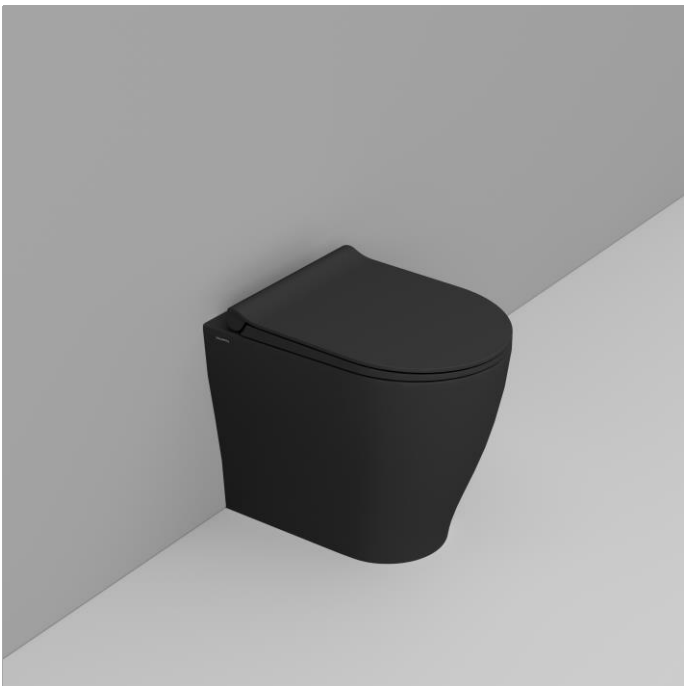
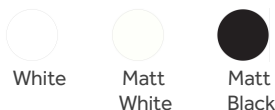
DOP-No

BTW supplied with fully hidden fixation set; universal outlet, certified 4,5 L flush due to vortex system and interior surface design. To be completed with seat and cover and outlet bend in case of vertical installation.

Width (mm)	360
Depth (mm)	500
Height (mm)	410
Weight (Kg)	28,3
Flush Volume (l)	4,5
Installation	back to wall
Outlet	universal outlet



available colours:



A		
Curva	Da	a
F950399	105	115
F951199	Racc. eccentrico 20mm	
F951299	Racc. eccentrico 40mm	

SEAT and COVER (NOT INCLU



S473381

Soft closing seat and cover with metal hinges and quick take-off.

PROVIDED FIXINGS / ACCESSORIES



F953299

Fixation set for hidden BTW installation

NOT PROVIDED FIXINGS / ACCESSORIES / SPARE PARTS

(* Mandatory)



VS371CR

Hinges for Mrto Round normal closing seat and cover.



VS373CR

Hinges for Mrto Round soft closing seat and cover.



VS52701

Buffers kit for Mia/Mirto/Gemma2 seat and cover