

Cod. D474901

White

DOP-No 997

4,5 L flush, due to vortex system and interior surface design. For assembly with suitable wall mounted chair brackets. Including fixation kit for hidden attachment. To be completed with seat and cover.

Width (mm)	360
Depth (mm)	500
Height (mm)	300
Weight (Kg)	23,5
Flush Volume (l)	4,5
Installation	wall hung
Outlet	horizontal outlet



available colours:



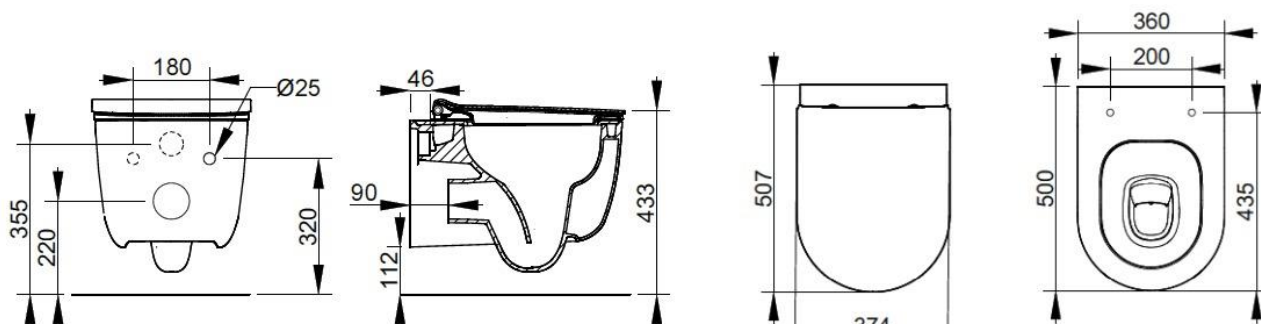
White



Matt White



Matt Black



SEAT and COVER (NOT INCLU

PROVIDED FIXINGS / ACCESSORIES



S473201

Normal closing seat and cover with metal hinges.



S473301

Soft closing seat and cover with metal hinges and quick take-off.



F953199

Fixation set for hidden WH installation

NOT PROVIDED FIXINGS / ACCESSORIES / SPARE PARTS

(* Mandatory)



F953099 *

Chair brackets for wall hung wc/bidet.



VS371CR

Hinges for Mirto Round normal closing seat and cover.



VS52701

Buffers kit for Mia/Mirto/Gemma2 seat and cover