

Cod. D503545

Concrete Grey

DOP-No 14528

Back to wall bidet, with central taphole; supplied with fixation set for hidden attachment.

Width mm)	360
Depth (mm)	560
Height mm)	410
Weight Kg)	27,00
Overflow hole	Si
Tap Holes	One-hole
Installation	back to wall



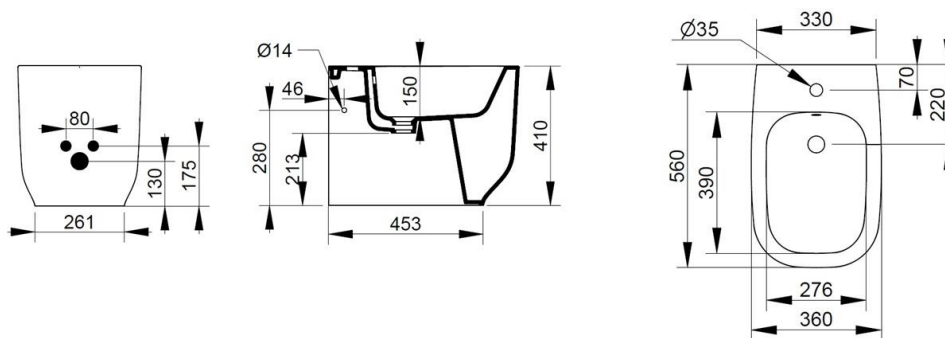
available colours:



White

Matt  
WhiteAntique  
PinkConcrete  
Grey

Sky Blue

Matt  
Black

## PROVIDED FIXINGS / ACCESSORIES



F953299

Fixation set for hidden  
BTW installation