

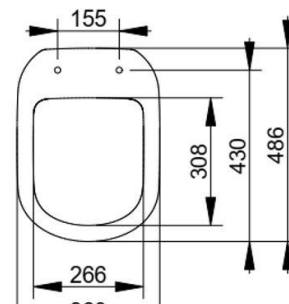
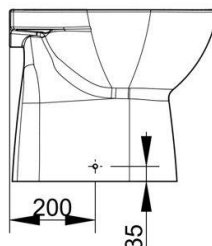
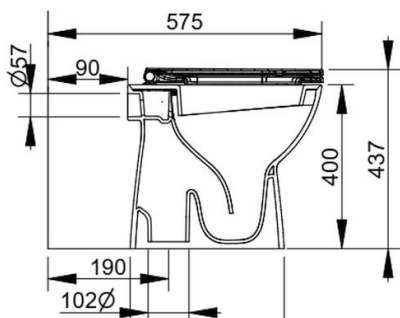
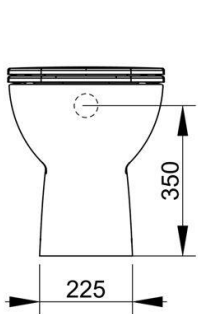
Cod. D522201

White

DOP-No 997

Vertical outlet bowl, 4,5 L flush, including fixation set. To be completed with seat and cover

Width (mm)	360
Depth (mm)	485
Height (mm)	400
Weight (Kg)	20,7
Flush Volume (l)	4,5
Installation	floor standing
Outlet	vertical outlet



### SEAT and COVER (NOT INCLU

### PROVIDED FIXINGS / ACCESSORIES



**S523201**

Normal closing seat and cover.



**S523601**

Soft closing seat and cover.



**F954199**

Fixation set for floor standing wc and pedestal

### NOT PROVIDED FIXINGS / ACCESSORIES / SPARE PARTS

(\* Mandatory)



**VS533CR**

Horizon metal hinges for soft closing seat and cover.



**V9060CR**

Decorative caps for fixation set F954199 (2 pcs) white



**V906001**

Decorative caps for fixation set F954199 (2 pcs) white



**VS52701**

Buffers kit for Mia/Mirto/Gemma2 seat and cover



**VS52101**

Hinges for Gemma2 normal closing seat and cover