

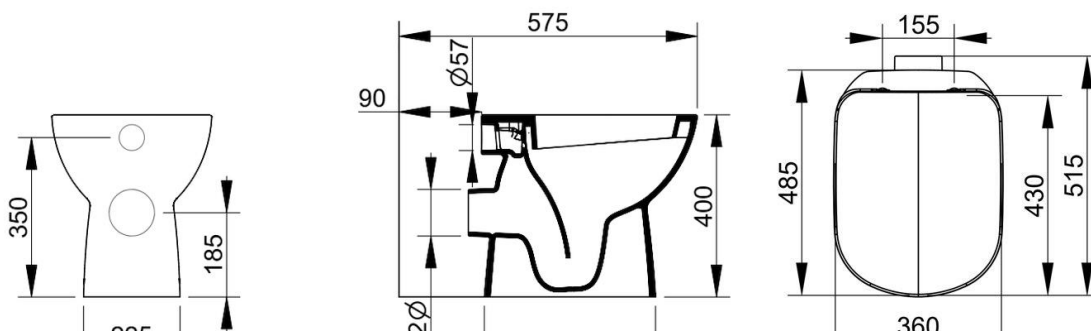
Cod. D522301

White

DOP-No 997

Horizontal outlet bowl, 4,5 L flush, supplied with fixation set. To be completed with seat and cover.

Width (mm)	360
Depth (mm)	515
Height (mm)	400
Weight (Kg)	20,1
Flush Volume (l)	4,5
Installation	wall mounted
Outlet	horizontal outlet



SEAT and COVER (NOT INCLU

PROVIDED FIXINGS / ACCESSORIES



S523201
Normal closing seat and cover.



S523601
Soft closing seat and cover.



F954199
Fixation set for floor standing wc and pedestal

NOT PROVIDED FIXINGS / ACCESSORIES / SPARE PARTS

(* Mandatory)



VS533CR
Horizon metal hinges for soft closing seat and cover.



V9060CR
Decorative caps for fixation set F954199 (2 pcs) white



V906001
Decorative caps for fixation set F954199 (2 pcs) white



VS52701
Buffers kit for Mia/Mirto/Gemma2 seat and cover



VS52101
Hinges for Gemma2 normal closing seat and cover