

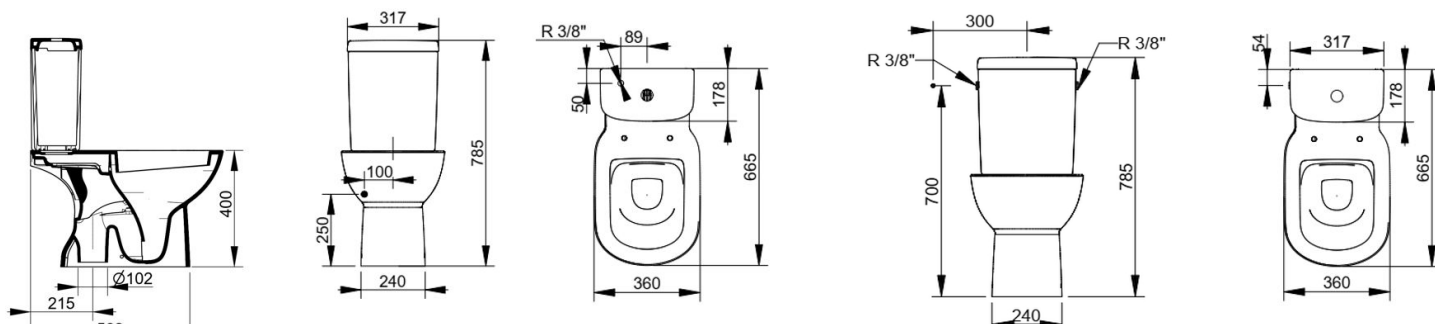
Cod. D522801

White

DOP-No 997

Vertical outlet close coupled, for assembly with CC cistern 4,5 L. Necessary equipment: cistern, mechanism, seat and cover, outlet bend in case of vertical installation. Fixation set included.

Width (mm)	365
Depth (mm)	665
Height (mm)	400
Weight (Kg)	23,7
Flush Volume (l)	4,5
Installation	floor standing
Outlet	vertical outlet



SEAT and COVER (NOT INCLU

PROVIDED FIXINGS / ACCESSORIES



S523201
Normal closing seat and cover.



S523601
Soft closing seat and cover.



F954199
Fixation set for floor standing wc and pedestal

NOT PROVIDED FIXINGS / ACCESSORIES / SPARE PARTS

(* Mandatory)



D523001
Close coupled cistern, bottom inlet. To be completed with mechanism and already included fixation



D522901
Close coupled cistern, side inlet. To be completed with mechanism and already included fixation set.



V9042CR
Double flush cistern mechanism with side inlet and chrome plated button.



V9043CR
Double flush cistern mechanism with bottom inlet and chrome plated button.



VS533CR
Horizon metal hinges for soft closing seat and cover.



V9060CR

Decorative caps for fixation set F954199 (2 pcs) white



V906001

Decorative caps for fixation set F954199 (2 pcs) white



VS52701

Buffers kit for Mia/Mirto/Gemma2 seat and cover



VS52101

Hinges for Gemma2 normal closing seat and cover