

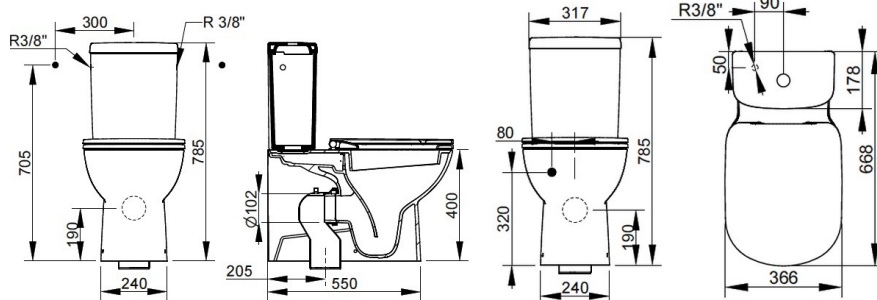
Cod. D523701

White

DOP-No 997

BTW Universal outlet close coupled, for assembly with CC cistern 4,5 L. Necessary equipment: cistern with mechanism, seat and cover, outlet bend in case of vertical installation. Fixation set included.

Width (mm)	366
Depth (mm)	668
Height (mm)	785
Weight (Kg)	28,5
Flush Volume (l)	4,5
Installation	back to wall
Outlet	universal outlet



Curva	A	
	Da	A
F950099	58	138
F950399	207	217
F950199	173	253
F951199	racc. eccentrico 20mm	
F951299	racc. eccentrico 40mm	

### SEAT and COVER (NOT INCLU



**S523601**

Soft closing seat and cover for close couple BTW bowl D523701.

### PROVIDED FIXINGS / ACCESSORIES

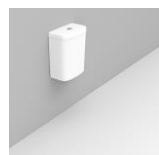


**F954199**

Fixation set for floor standing wc and pedestal

### NOT PROVIDED FIXINGS / ACCESSORIES / SPARE

(\* Mandatory)



**D523901**

Close coupled cistern, side inlet. Including double flush mechanism and fixation set.



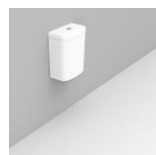
**D524001**

Close coupled cistern, bottom inlet. Including double flush mechanism and fixation set.



**D523001**

Close coupled cistern, bottom inlet. To be completed with mechanism and already included fixation set.



**D522901**

Close coupled cistern, side inlet. To be completed with mechanism and already included fixation set.



**F950399**

Plastic 'S' outlet bend 90°



**F950099**

Plastic outlet bend 90°



**F950199**

Plastic outlet bend 90°, to be installed only on shifted BTW bowl



**F951299**

Eccentric adapter for outlet +/- 40mm.



**F951199**

Eccentric adapter for outlet +/- 20mm.

IMMAGINE  
NON DISPONIBILE

**VS533CR**

Horizon metal hinges for soft closing seat and cover.



**V9042CR**

Double flush cistern mechanism with side inlet and chrome plated button.



**V9043CR**

Double flush cistern mechanism with bottom inlet and chrome plated button.



**V9060CR**

Decorative caps for fixation set F954199 (2 pcs) white



**V906001**

Decorative caps for fixation set F954199 (2 pcs) white



**VS52701**

Buffers kit for Mia/Mirto/Gemma2 seat and cover