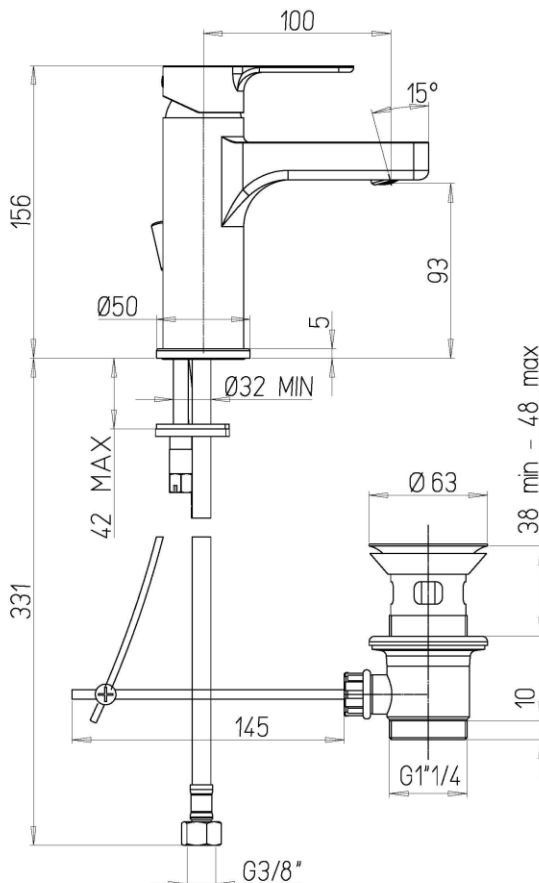




R1011CR

FEATURES

Spout	fixed
Spout length	100 mm
Spout height	93 mm
Aerator flow rate	6 l/m
Water flow hose	in technopolymer
Cartridge	ceramic
Cartridge dimension	35 mm
Connection	flexible steel hoses with connection G 3/8"
Outlet	waste 1-1/4



SPARE PARTS

VR316CR



Complete aerator 8L/min, M24x1 male thread

VR311CR



Complete aerator 6L/min, M24x1 male thread

VR305CR



Complete aerator 4L/min, M24x1 male thread

VR10699



Mixing cartridge - D35 mm. - H 59 mm. - square 9x9 mm.