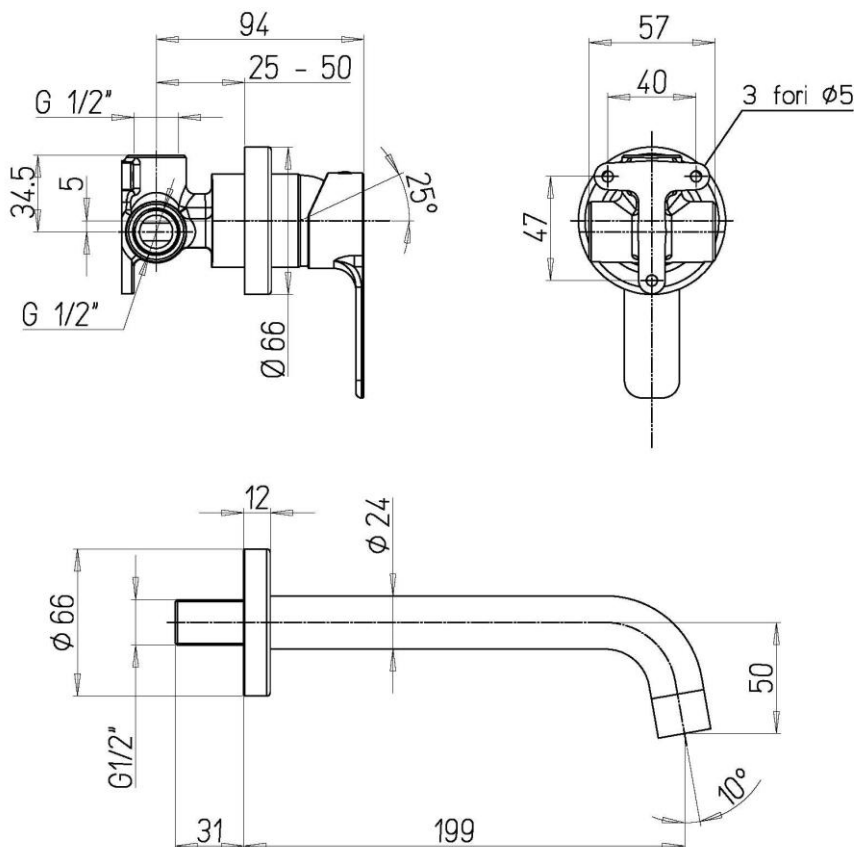


R1021CR

FEATURES

| | |
|---------------------|---------------|
| Spout | fixed |
| Plate | without plate |
| Spout length | 199 mm |
| Aerator flow rate | 6 l/m |
| Cartridge | ceramic |
| Cartridge dimension | 35 mm |



SPARE PARTS

VR313CR



Complete aerator 8L/min, M22x1 female thread

VR307CR



Complete aerator 6L/min, M22x1 female thread

VR302CR



Complete aerator 4L/min, M22x1 female thread

VR10699



Mixing cartridge - D35 mm. - H 59 mm. - square 9x9 mm.