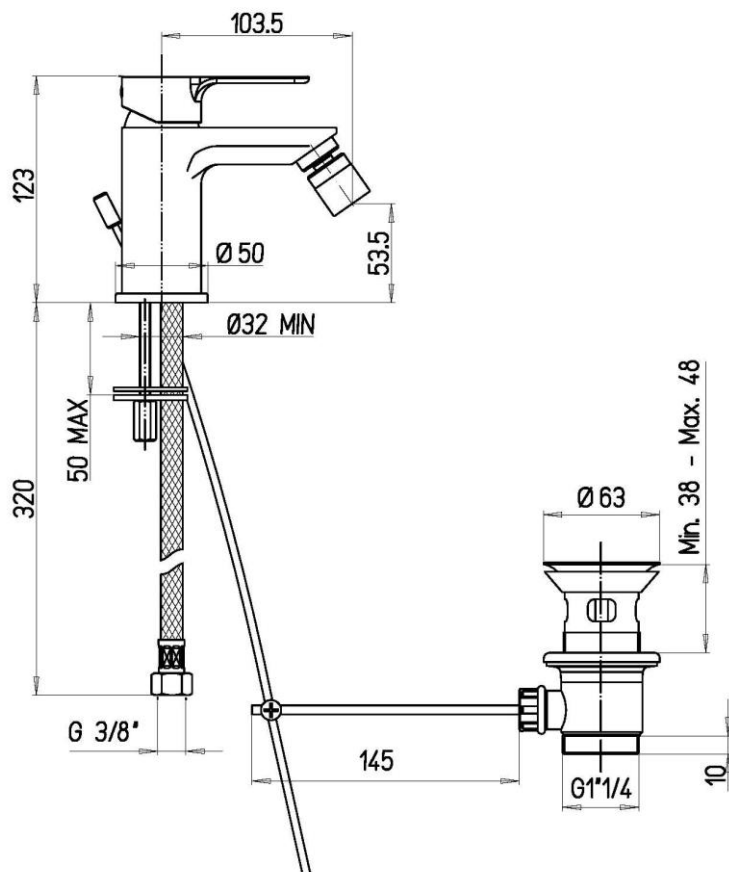




R1031CR

FEATURES

Spout	fixed with joint
Aerator flow rate	6 l/m
Cartridge	ceramic
Cartridge dimension	35 mm
Connection	flexible steel hoses with connection G 3/8"
Outlet	waste 1-1/4



SPARE PARTS

VR313CR



Complete aerator 8L/min, M22x1 female thread

VR307CR



Complete aerator 6L/min, M22x1 female thread

VR302CR



Complete aerator 4L/min, M22x1 female thread

VR10499



Mixing cartridge - D35 mm. - H 59 mm. - with superior ring - square 9x9 mm.

Jupdated: 17/01/2024