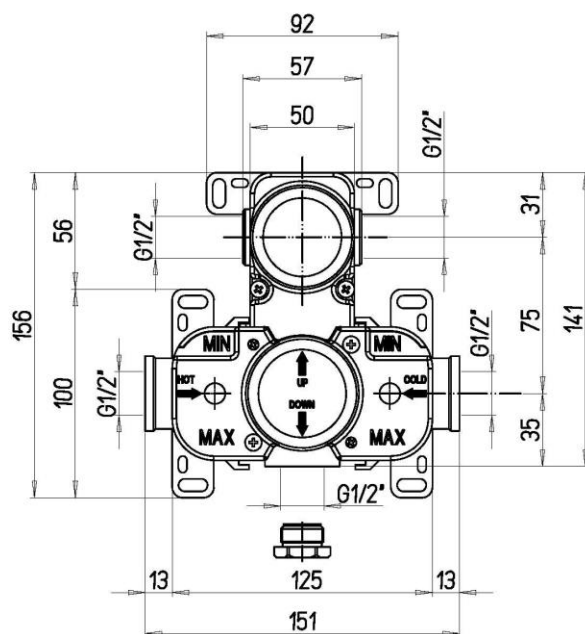
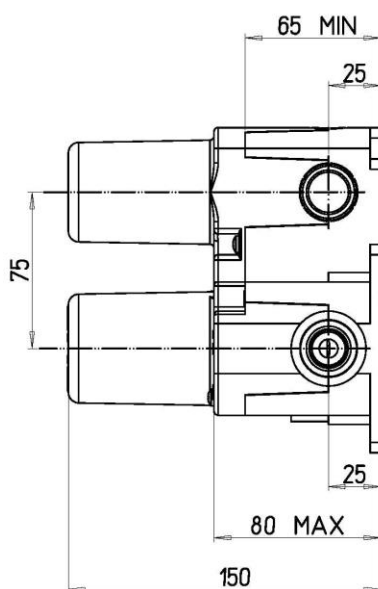


R206299

FEATURES

Cartridge	thermostatic
Water outlet	G 1/2"
Water inlet	G 1/2"
Kit	to be installed with external plates R2072CR/R207281
Diverter	2-ways
Security lock	38°
Valves	swivel wall



SPARE PARTS

VR10899



Diverter cartridge for built-in 2-ways thermostatic- D35 mm. - H 54 mm. - square 7x7 mm.

VR11199



Thermostatic cartridge D34x90 mm. - D10 mm.