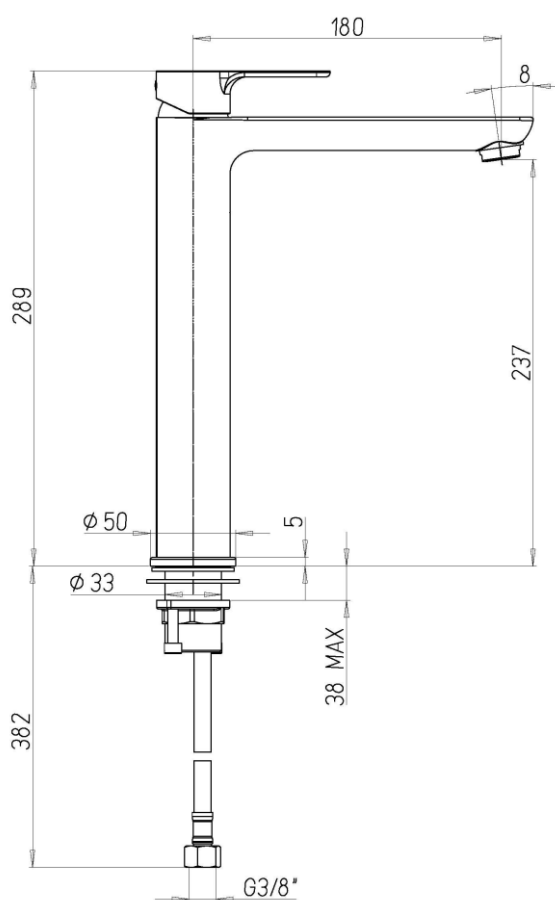




### R1012CR

#### FEATURES

Spout	fixed
Spout length	180 mm
Spout height	237 mm
Aerator flow rate	6 l/m
Cartridge	ceramic
Cartridge dimension	35 mm
Connection	flexible steel hoses with connection G 3/8"
Outlet	without control rod



#### SPARE PARTS

##### VR312CR



Complete aerator 8L/min, M24x1 male thread

##### VR306CR



Complete aerator 6L/min, M24x1 male thread

##### VR301CR



Complete aerator 4L/min, M24x1 male thread

##### VR10499



Mixing cartridge - D35 mm. - H 59 mm. - with superior ring - square 9x9 mm.

J updated: 19/09/2023