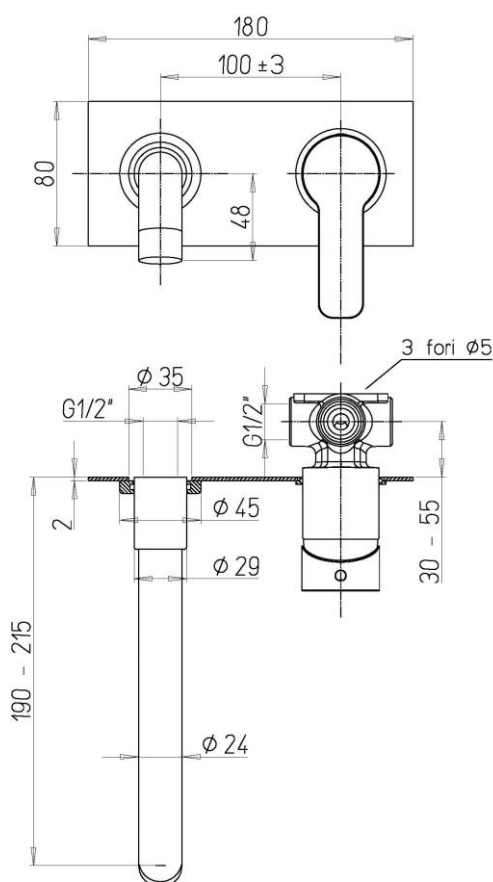


### R1022CR

#### FEATURES

Spout	fixed
Plate	rectangular
Spout length	199 mm
Aerator flow rate	6 l/m
Cartridge	ceramic
Cartridge dimension	35 mm



#### SPARE PARTS

##### VR313CR



Complete aerator 8L/min, M22x1 female thread

##### VR307CR



Complete aerator 6L/min, M22x1 female thread

##### VR302CR



Complete aerator 4L/min, M22x1 female thread

##### VR10699



Mixing cartridge - D35 mm. - H 59 mm. - square 9x9 mm.

J updated: 19/09/2023